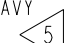
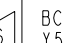
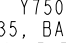
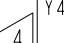
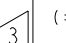

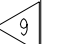


REV	DATE	DESCRIPTION	ECO	BY	C'H'K.
B	02/01/2016 00:00:00 AM	NOTE 3 UPDATED	41306	TS	DD

CATALOG NO.	CONDUCTOR		BOLT SIZE	FIG. NO.	DIMENSIONS								INSTALLATION TOOLING (# CRIMPS)												
	CODE (AWG)	NAVY 			B ±.03	C ±.02	H REF.	K DIA. ±.02	L ±.06	N ±.04	O.D. ±.01	T REF.	Z MIN.	DIE INDEX	COLOR CODE	MECHANICAL			HYDRAULIC				DIELESS (# CRIMPS)	WIRE STRIP LENGTH	
																MD7-34R MD6	OUR840	Y8MRB-1 Y2MR 	BCT500 Y500CT	Y34A 	Y750 Y35, BAT35 Y39, BAT750	Y46 			Y45 
YAZ6CTC10	#6 AWG [-----]	30		1	1.12 [28]		--		1.89 [48]		.29 [7]			7 OR 374	BLUE	W5CVT W5CRT (2)	W5CVT W5CRT (2)	BLUE (2)	W5CVT W5CRT (2)	A5CR (2)	U5CRT U8CABT (2)	U5CRT U8CABT (2)	U5CRT U8CABT (2)	MECHANICAL: MY29-11(1) HYDRAULIC Y644, Y644M BAT644M Y644MBH, Y1000 Y1000BH (1)	1-3/16
YAZ6CTC1045			#10 [M5]	2		.42 [11]		1.19 [30]	.21 [5]	1.72 [44]	.25 [6]														
YAZ6CTC1090 				3				1.52 [39]		.75 [19]															
YAZ6CTC14				1				2.02 [51]																	
YAZ6CTC1445			1/4 [M6]	2		.45 [11]		1.19 [30]	.27 [7]	1.82 [46]	.31 [8]														
YAZ6CTC1490 	#6 AWG [-----]	30		3	1.12 [28]			1.50 [38]		.87 [22]				7 OR 374	BLUE	W5CVT W5CRT (2)	W5CVT W5CRT (2)	BLUE (2)	W5CVT W5CRT (2)	A5CR (2)	U5CRT U8CABT (2)	U5CRT U8CABT (2)	U5CRT U8CABT (2)		

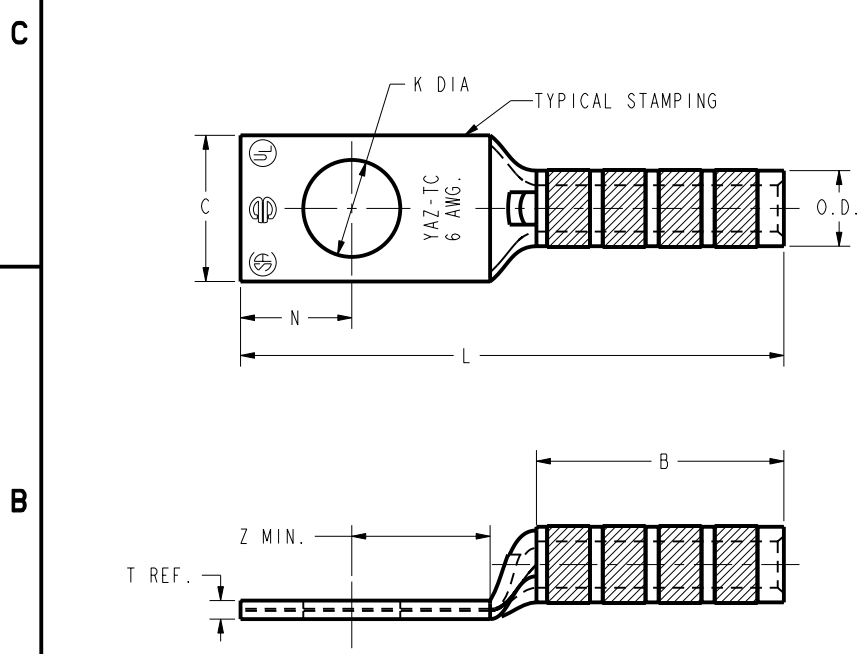


FIG. 1

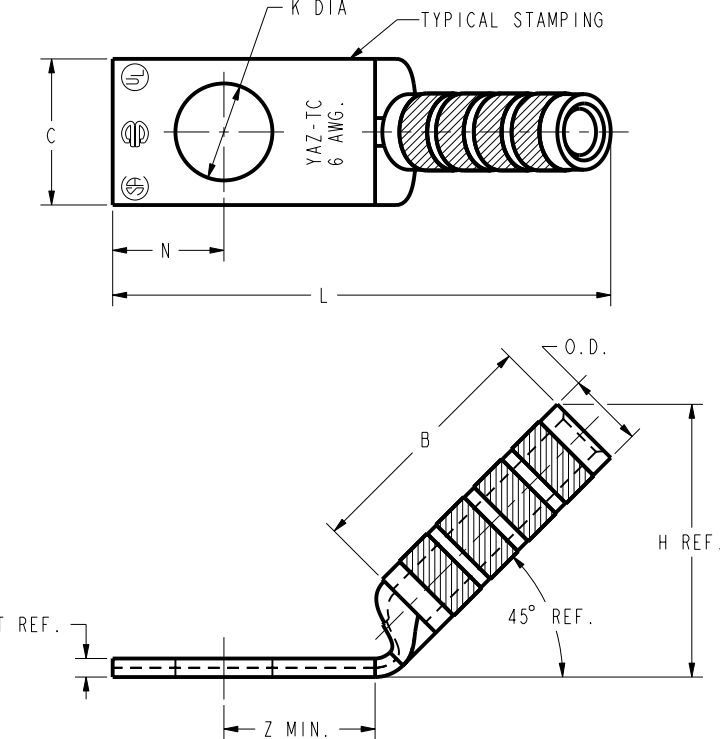


FIG. 2

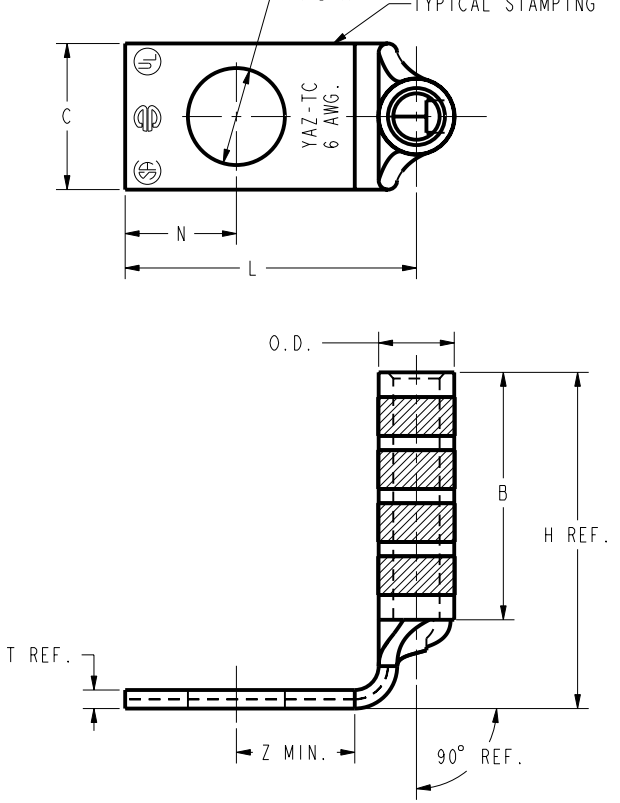
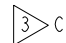
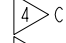
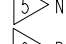
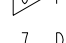




FIG. 3

NOTES:

1. MATERIAL: COPPER TUBING.
2. FINISH: TIN PLATED
-  CATALOG # PT6515 ADAPTOR IS REQUIRED TO USE "U" DIES IN Y45 SERIES TOOLS.
-  CATALOG # PUADP-1 ADAPTOR IS REQUIRED TO USE "U" DIES IN Y46 SERIES TOOLS.
-  NAVY CABLE SIZE MAY BE OMITTED ON SOME SIZES BECAUSE OF SPACE LIMITATIONS.
-  PERMANENT DIE IN TOOLING.
7. DIMENSIONS, METRIC WIRE, & METRIC BOLT SIZES IN BRACKETS [] ARE IN MILLIMETERS. DIMENSIONS ARE ROUNDED OFF TO THE NEAREST MILLIMETER, UNLESS OTHERWISE NOTED, AND ARE FOR REFERENCE ONLY.
-  FOR USE BY CUSTOMERS THAT HAVE THIS HYPRESS™. NO NEW Y34A HYPRESS™ TOOLS ARE BEING PROCESSED.
-  THESE CONNECTORS CANNOT BE INSTALLED WITH Y45 TOOLING.

TO ORDER BURNDY® PRL		HYLUG™ (ONE HOLE CODE)	
ITEM NO:	NA	CAT. NO:	YAZ6C-TC- (TABLE)
DRAWN BY:	D. BOISVERT 02/03/2000	CHECKER:	R. BOISVERT 01/10/2001
DSN APPVL:	J. MICHAUD 05/04/2000	MFG APPVL:	N/A
QA APPVL:	S. BROWN	MKT APPVL:	R. ROBICHEAU 02/01/2000
PROD FAM:	--	SCALE:	NTS
PROJECT #:	--	SIZE:	D
DOCUMENT TYPE:	Sales	DRAWING NO:	SE212356
REL LEVEL:	Released	SHEET:	4 OF 40

REV: PE0200